

See Beyond, LG Transparent OLED Touch Signage

55EW5TF



Astonishing Transparency



Color with Great Depth



Intuitive P-Cap Touch



Product Reliability



* All images are for illustrative purposes only.

A New Level of See-through View

Imagination becomes reality

LG Transparent OLED Touch Signage illuminates spaces that once were hidden away behind the display, completely harmonizing with its surroundings.

Boasting vivid and clear colors with high transparency, this display provides visual enhancements to objects placed behind it, giving viewers an impressive "wow" factor.

And now LG Transparent OLED can respond to viewers' touch, creating unique potential for interactive applications that will create new experiences in digital signage.



High Transparency

LG's OLED technology makes the Transparent OLED Touch Signage have slimmer structure without backlight unit nor a liquid crystal layer, achieving high transparency of 33% even with P-Cap touch film much higher than conventional LCD transparent displays (10%*). While clearly showing objects behind the screen, it overlays the relevant information right before them.



* Based on LG's WFB series

Accurate and Vivid Colors

Featuring self-lighting pixels, the display maintains vivid colors and high contrast ratio even when the display becomes transparent. It brings content to life from wide viewing angles, and the content blends into its surroundings seamlessly and naturally.



Intuitive P-Cap Touch

By adding touchscreen sensor film to the transparent OLED display, new possibilities for various industries to interact with customers have been created that did not exist before. State-of-the-art P-Cap touch sensors provide fast and accurate responses to customer interactions, facilitating fascinating interactions with content that can highlight features and benefits all kinds of physical products.



Protective Tempered Glass

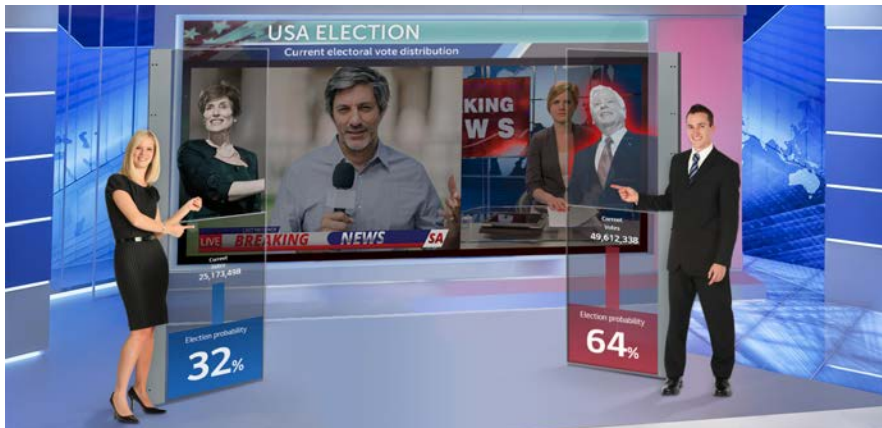
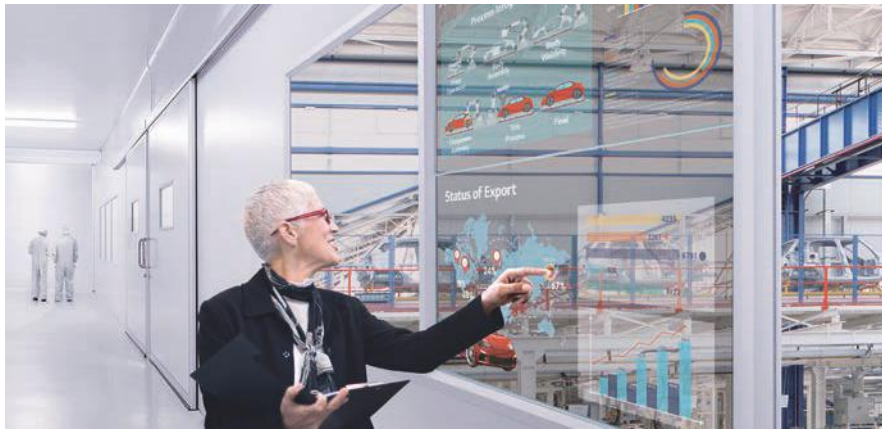
The T-OLED Touchscreen has tempered, shatter-resistant front glass that protects the product from external impacts that could occur in daily use.



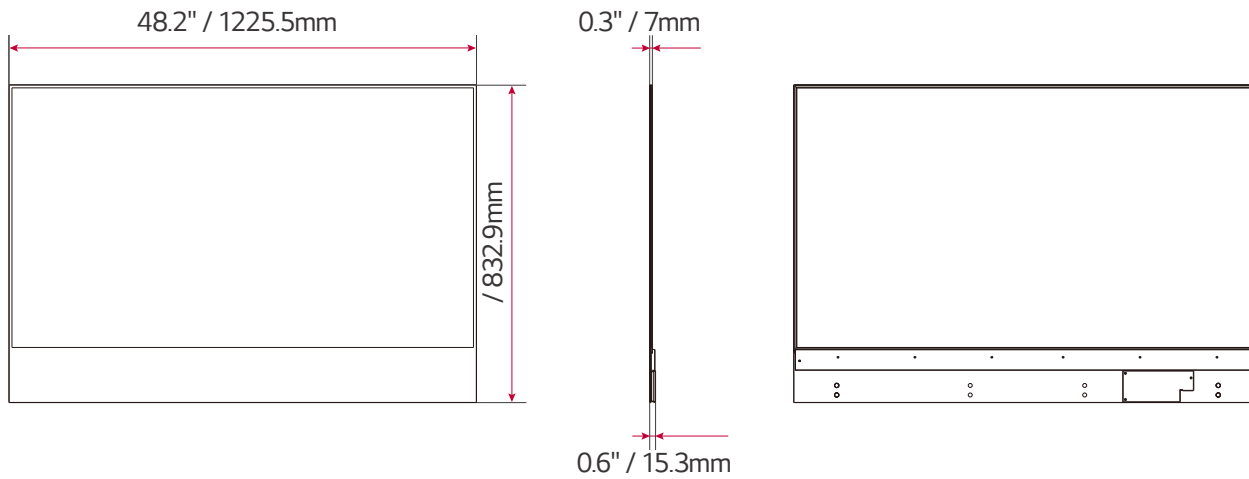
* Optically Clear Adhesive

Expandable Design

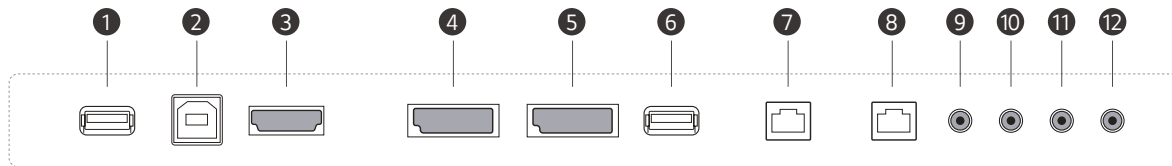
LG Transparent OLED Touch Signage is designed as a semi-assembled display, meaning you can install it in various ways to fit into existing structures and spaces. With its flexibility of installation, the 55EW5TF can compliment virtually any venue in which it is installed.



* Installation accessories are not supplied by LG.



CONNECTIVITY (Signage Box)



- ① TOUCH USB IN
- ② TOUCH OUT (PC)
- ③ HDMI IN
- ④ DP IN
- ⑤ DP OUT
- ⑥ USB IN (USB 2.0)
- ⑦ LAN IN
- ⑧ LAN OUT
- ⑨ IR IN
- ⑩ RS-232C IN
- ⑪ RS-232C OUT
- ⑫ AUDIO OUT



* Dimensions & Jack Panels (Read/Side) may differ from the above image, so please contact LG sales team to verify before ordering.

SPECIFICATIONS

T-OLED TOUCH | 55EW5TF

55EW5TF

PANEL	Screen Size	55"
	Panel Technology	Transparent OLED Touchscreen
	Aspect Ratio	16 : 9
	Native Resolution	1,920 x 1,080 (FHD)
	Refresh Rate	120 Hz
	Brightness (Typ.)	400 / 150 nits (APL 25 % / 100 %, Without Glass)
	Contrast Ratio	150,000 : 1
	Color gamut	120% BT709
	Viewing Angle (H x V)	178° x 178°
	Color Depth	10 bit (R), 1.07 Billion Colors
	Response Time	1 ms (G to G)
	Lifetime (Typ.)	30,000 Hrs
	Operation Hours (Hours / Day)	18 / 7 (Moving Content Only)
Portrait / Landscape	Yes / Yes	
Transparency (Typ.)	33% (Set)	
CONNECTIVITY	Input	HDMI, DP, USB 2.0 Type A, USB 2.0 Type A (Touch Control Board only)
	Output	DP, Audio, USB 2.0 Type B (Touch USB)
	External Control	RS232C In/Out, RJ45 (LAN) In/Out, IR In (External IR Receiver)
MECHANICAL SPECIFICATION	Bezel Color	Matte Silver
	Bezel Width	7.9 / 7.9 / 7.9 / 144.5 mm (T / R / L / B)
	Weight (Head)	32.2 lbs / 14.6 kg (Head) 7.5 lbs / 3.4 kg (Signage Box)
	Packed Weight	50.9 lbs / 23.1 kg
	Monitor Dimensions (W x H x D)	48.2" x 32.8" x 0.3" / 1,225.5 x 832.9 x 7.0 mm (Head) 30.8" x 9.4" x 1.4" / 782.8 x 238.4 x 34.7 mm (Signage Box)
	Carton Dimensions (W x H x D)	53" x 32.7" x 8.4" / 1,345 x 945 x 207 mm
Protection Glass	Depth 3.0 mm , Tempered / Chemical Strengthening, Anti-Reflective, Shatter-Proof	
KEY FEATURES	Internal Memory (16GB), Temperature Sensor, Local Contents Scheduling, Group Manager, USB Plug & Play, Fail Over, Screen Rotation, Setting Data Cloning, SNMP, ISM Method (Image Sticking Minimization), Auto Set ID, Status Mailing, Control Manager, Crestron Connected®, DPM, PM Mode, Wake on LAN, HDMI-CEC ¹ , SI Server Setting	
ENVIRONMENT CONDITIONS	Operation Temperature Range	32° F to 104° F / 0° C to 40° C
	Operation Humidity Range	10% to 80%
POWER	Power Supply	100-240 Vac, 50/60 Hz
	Power Type	Built-In Power
	Power Consumption (Typ. / Max.)	250 W / 280 W
CERTIFICATION	Safety	CB, NRTL
	EMC	FCC Class "A" / CE / KC
	ErP / Energy Star	Yes (EU Only) / No
SOFTWARE & SERVICES ³	Content Management Software	SuperSign CMS
	Control and Monitoring Software	SuperSign Control / Control+
	Signage365Care	Yes
ACCESSORIES (BASIC)	Remote Controller, Power Cord, IR Receiver, Phone to RS232C Gender, FFC Cables (1,600 mm x 4 ea), HDMI Cable (3 m), Micro to A Type USB Cable (1.8 m), A to B Type USB Cable, Tapes, Screws, Shield Cover Assy ¹ , Rubber Dampers, Touch Cable Holders, QSG, Regulation Book	
TOUCH	Touch Type	P-Cap
	Operating System Support	Windows
	Multi Touch Point	Max 10 Points

1) Network based control 2) Compatibility may differ by equipment. 3) SuperSign CMS, Control+ and Signage365Care are optional paid software and services. Signage365Care implementation may vary by region.

