

# Professional HD Signage Displays PDU Series

75" / 86" / 98"

Resolution: 3840x2160 (UHD)

Brightness: 500 cd/m<sup>2</sup>

Operation: 24/7

Bezel: 16-39 mm (T/R/L), 21-39 mm (B)

Interface: HDMI 2.0 / VGA / USB / RS232 / RJ45 / RJ12 / IR / HP / Audio / Speaker



The highest display sizes with professional grade screens will fit your highest demands. The line consists of highest picture quality within largest areas.



## Signal Failover

Our displays have a protection for "No Signal". If the source is disconnected, the display will either show your customized banner or search for any other signal from video sources. Since blank screen is the worst case scenario for advertisement, failover is one of the critical feature in our signage displays.



## Display Control over RS232 and LAN

Our platform enables the users to control our displays using wide range of RS232 commands in a Local Area Network or DSUB9 connector.



## Scheduler

Scheduler is one of the many important properties of SoC. Scheduler lets setting up the opening and closing times of display and also holidays while switching to any video source. So you do not need to worry about the status of the displays in any time.



## Pixel Shifting

Pixel Shifting is designed to be activated inside the SoC in order to prevent for potential risk of image sticking, caused by constant content. With this feature turned on, pixels on the screen will move on small intervals while causing no interference of visual experience.

# Professional UHD Signage Displays

## PDU Series

75"/86"/98"

1. HDMI OUT
2. HDMI IN 1
3. DP IN
4. DP OUT
5. HP
6. IR IN
7. HDMI IN 2
8. HDMI IN 3
9. HDMI IN 4
10. OPTICAL SPDIF
11. RJ12-SENSORS
12. RJ12
13. AUDIO IN L/R
14. DSUB9-RS232
15. VGA
16. RJ45
17. USB 2
18. USB 1



### KEY SERIES FEATURES

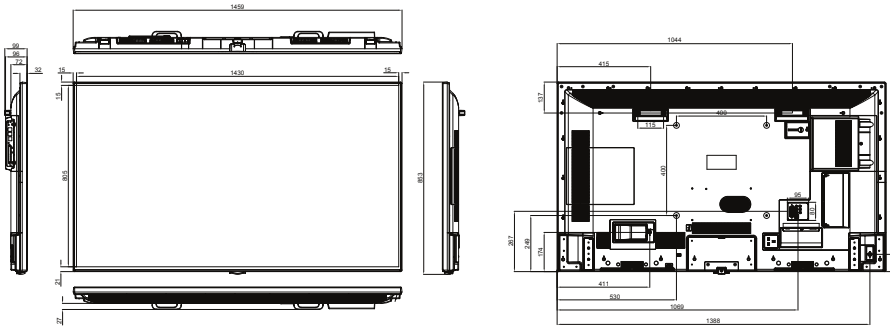
- 4K HDMI @60Hz
- Display Control
- Scheduler
- USB Auto-Play
- USB Cloning
- USB Operations
- USB Information
- USB Safe Eject
- Auto-Launch
- Boot-up Picture
- Temperature Control
- Brightness Scheduling
- Sensor Compatibility
- Detachable Logo
- Detachable Power Cord
- OSD Rotation
- Pixel Shifting
- Signal Failover
- Input Search
- IP Streaming Support
- Playlist Creation
- SoC Content Management
- HTML5 API Support
- HDMI Wakeup
- HDMI Switching
- HDMI CEC
- HDMI Auto-Switch
- Improved UI
- Color Calibration(VW)
- Professional Design
- Built-in Connectivity
- Built-in WiFi
- Built-in Bluetooth
- Longer Life Span
- OPS Support
- Touch Support
- USB Secure Cover
- Carrying Handles
- IR Extender
- Button Lock
- RCU Lock
- Menu Lock
- Device ID
- Display Lifetime
- Serial Number
- Software Upgrade
- Start Url
- OPS Status
- OPS Power Control
- Power-up Mode
- Power on Delay
- Videowall Settings
- Daisychain
- Volume Limit
- Startup Volume
- Headphone Volume

# PDU Series

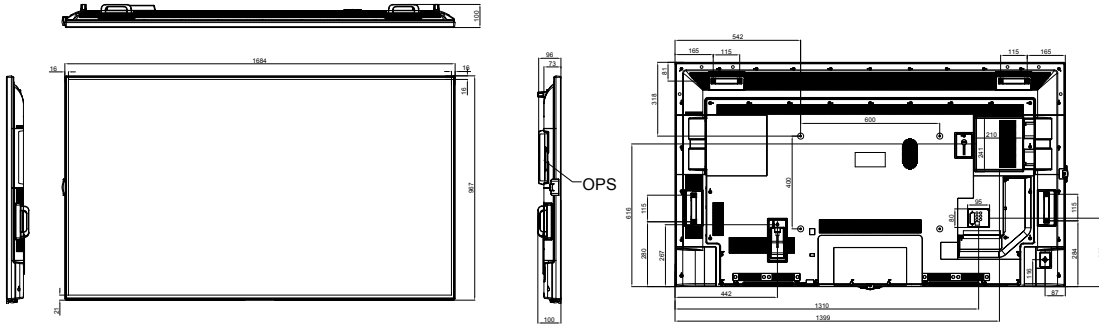
Model Name	PDU65UF82/4	PDU75UF83/4	PDU86SF80B/4	PDU98SF81B/4
<b>Panel</b>				
Screen Size	65"	75"	86"	98"
Panel Technology	IPS	IPS	IPS	SVA
Backlight Type	Direct-Type LED	Direct-Type LED	Edge-Type LED	ELED
Brightness (typical)	400 cd/m <sup>2</sup>	400 cd/m <sup>2</sup>	500 cd/m <sup>2</sup>	500 cd/m <sup>2</sup>
Native Resolution	3840 x 2160 (16:9) - UHD	3840 x 2160 (16:9) - UHD	3840 x 2160 (16:9) - UHD	3840 x 2160 (16:9) - UHD
Contrast Ratio (typical)	1200:1	1200:1	1200:1	4000:1
Dynamic Contrast Ratio	40000:1	40000:1	50000:1	50000:1
Panel Life Time ( Min. )	50000 Hrs	50000 Hrs	50000 Hrs	50000 Hrs
Response Time (typical)	8 ms	8 ms	8 ms	6 ms
Active Area (H x V)	1428 mm (H) x 804 mm (V)	1650 x 928 mm	1899 x 1069 mm	2158 x 1214 mm
Pixel Pitch (H x V)	0.372 x 0.372 mm	0.429 x 0.429 mm	0.4935 x 0.4935 mm	0.5621 x 0.5621 mm
PPI (pixel per inch)	68	59	52	45
Viewing Angle	178° Vert., 178° Hor. (89U/89D/89L/89R) @ CR>10	178° Vert., 178° Hor. (89U/89D/89L/89R) @ CR>10	178° Vert., 178° Hor. (89U/89D/89L/89R) @ CR>10	178° Vert., 178° Hor. (89U/89D/89L/89R) @ CR>10
Color Value	1.07 B (10-bit)	1.07 B (10-bit)	1.07 B (10-bit)	16.7 M (8-bit)
Screen Treatment	3H	2H	2H	2H
Haze Level	1%	3%	3%	25%
Refresh Rate	60 Hz	60 Hz	74.25 MHz	60 Hz
Front Type	Ultra Narrow Bezel	Ultra Narrow Bezel	SNB	SNB
Orientation	Horizontal / Vertical	Horizontal / Vertical	Horizontal / Vertical	Horizontal / Vertical
Operation Hours	24/7	24/7	24/7	24/7
Area of Usage	Indoor	Indoor	Indoor	Indoor
<b>Mainboard</b>				
Mainboard Model	17MB135VS	17MB120DSR4-DSOPT7	17MB120DSR4-DSOPT7	17MB120DSR4-DSOPT7
<b>Monitor Connectivity</b>				
RGB Input	VGA(DE-15F)	VGA(DE-15F)	VGA(DE-15F)	VGA(DE-15F)
RGB Output	N/A	N/A	N/A	N/A
Video Input	4xHDMI2.0, 1xDP1.2a, 2xUSB2.0, USB2.0(Internal)	4xHDMI2.0, 1xDP1.2a, 2xUSB2.0, USB2.0(Internal)	4xHDMI2.0, 1xDP1.2a, 2xUSB2.0, USB2.0(Internal)	4xHDMI2.0, 1xDP1.2a, 2xUSB2.0, USB2.0(Internal)
Video Output	HDMI2.0, DP1.2a	HDMI2.0, DP1.2a	HDMI2.0, DP1.2a	HDMI2.0, DP1.2a
Audio Input	Line In L/R	Line In L/R	Line In L/R	Line In L/R
Audio Output	Headphone, Optic SPDIF	Headphone, Optic SPDIF	Headphone, Optic SPDIF	Headphone, Optic SPDIF
External Control	RS232(DE-9F), Ethernet(RJ45), Service(RJ12)	RS232(DE-9F), Ethernet(RJ45), Service(RJ12)	RS232(DE-9F), Ethernet(RJ45), Service(RJ12)	RS232(DE-9F), Ethernet(RJ45), Service(RJ12)
External Sensor	RJ12	RJ12	RJ12	RJ12
<b>Mechanical</b>				
Product Dimensions (WxDxH)	1459 x 99 x 853 mm	1684 x 100 x 967 mm	1975 x 103 x 1146 mm	2236 x 98 x 1292 mm
Package Dimensions (WxDxH)	1607 x 177 x 980 mm	1948 x 210 x 1170 mm	2163 x 318 x 1405 mm	2423 x 380 x 1563 mm
Product Weight	24.45 kg	37.2 kg	65.8 kg	102.3 kg
Package Weight	31.85 kg	50.2 kg	85.6 kg	126.7 kg
Vesa Mounting	400 x 400 mm - M6	600 x 400 mm - M6	600 x 400 mm - M6	900 x 600 mm
Bezel Width	B:21 mm   T:15 mm   L/R:15 mm	B:21   T:16   L/R:16 mm	B:38   T:38   L/R:38 mm	B:39   T:39   L/R:39 mm
<b>Environmental Conditions</b>				
Operating Temperature	0-40°C	0-40°C	0-40°C	0-40°C
Operating Humidity	10-90%	10-90%	10-90%	10-90%
<b>Power</b>				
Power Supply	110 VAC - 240 VAC - 50/60 Hz	110 VAC - 240 VAC - 50/60 Hz	110 VAC - 240 VAC - 50/60 Hz	110 VAC - 240 VAC - 50/60 Hz
<b>Power Consumption</b>				
Typical	TBD	223 W	254 W	498 W
Deep Standby	≤0.5W	≤0.5 W	≤0.5 W	≤ 0.5 W
<b>Features</b>				
Main Features	Open Content Management Support, Scheduler, USB-Auto-play, Auto-Launch, HDMI-CEC, HDMI-Wakeup, Auto-switch on Failover, Panel Lock	Open Content Management Support, Scheduler, USB-Auto-play, Auto-Launch, HDMI-CEC, HDMI-Wakeup, Auto-switch on Failover, Panel Lock, OSD Rotation, NoSignalPowerOff, Screen Saver, Pixel shift, Scheduler, Videowall support, remote control via LAN, Real Time Clock	Open Content Management Support, Scheduler, USB-Auto-play, Auto-Launch, HDMI-CEC, HDMI-Wakeup, Auto-switch on Failover, Panel Lock, OSD Rotation, NoSignalPowerOff, Screen Saver, Pixel shift, Scheduler, Videowall support, remote control via LAN, Real Time Clock	Open Content Management Support, Scheduler, USB-Auto-play, Auto-Launch, HDMI-CEC, HDMI-Wakeup, Auto-switch on Failover, Panel Lock, OSD Rotation, NoSignalPowerOff, Screen Saver, Pixel shift, Scheduler, Videowall support, remote control via LAN, Real Time Clock
Mechanical Features	Joystick, IR Extender Support, Rocker Switch, Detachable power cable, Carrying slots, Detachable logo positioning, Internal usb cover, Cable Holder	Joystick, IR Extender Support, Rocker Switch, Detachable power cable, Carrying slots, Detachable logo positioning, Internal usb cover, Cable Holder	Joystick, IR Extender Support, Rocker Switch, Detachable power cable, Carrying slots, Detachable logo positioning, Internal usb cover, Cable Holder	Joystick, IR Extender Support, Rocker Switch, Detachable power cable, Carrying slots, Detachable logo positioning, Internal usb cover, Cable Holder
Optional Features	OPS Compliance, IR Overlay Touch Compliance	OPS Compliance, IR Overlay Touch Compliance	OPS Compliance	OPS Compliance
Speaker	2 x 8 W	2 x 12 W	2 x 12 W	2x12W
<b>Accessory</b>				
Standard	QSG, Warranty Card, IB, Power Cord, Remote Control, RC Battery, Mounting Kit, Extension Brackets, IR Extender Cable	QSG, IB, Power Cord, Remote Control Unit, RC Battery, Mounting Kit, Extension Brackets, IR Extender Cable	QSG, IB, Power Cord, Remote Control Unit, RC Battery, Mounting Kit, Extension Brackets, IR Extender Cable	QSG, IB, Power Cord, Remote Control Unit, RC Battery, Mounting Kit, Extension Brackets, IR Extender Cable
<b>Certification</b>				
Safety	Yes	Yes	Yes	Yes
EMC	Yes	Yes	Yes	Yes
CB	Yes	Yes	Yes	Yes
CE	Yes	Yes	Yes	Yes

# PDU Series

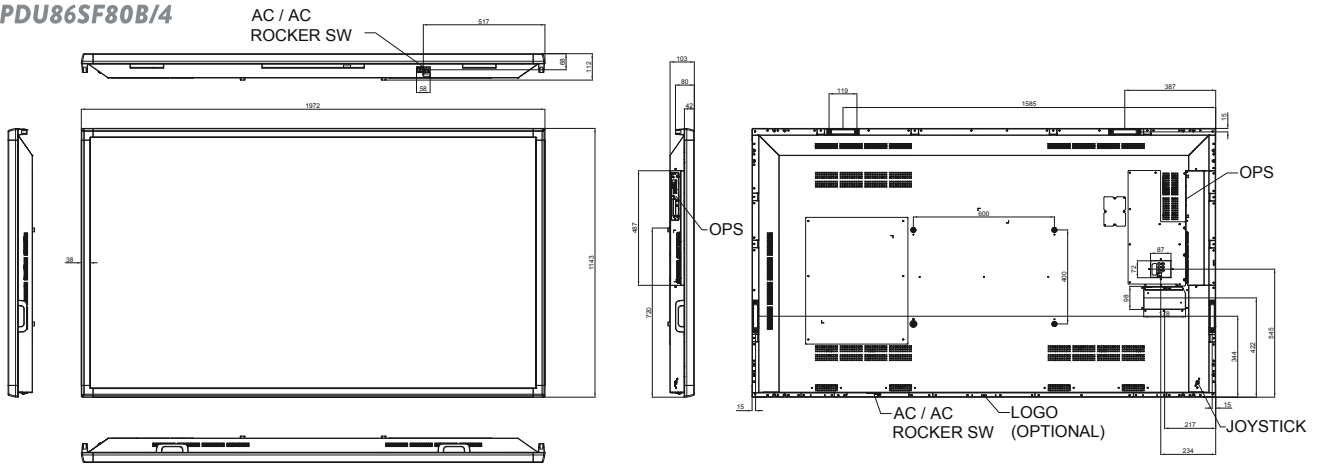
## PDU65UF82/4



## PDU75UF83/4



## PDU86SF80B/4



## PDU98SF81B/4

