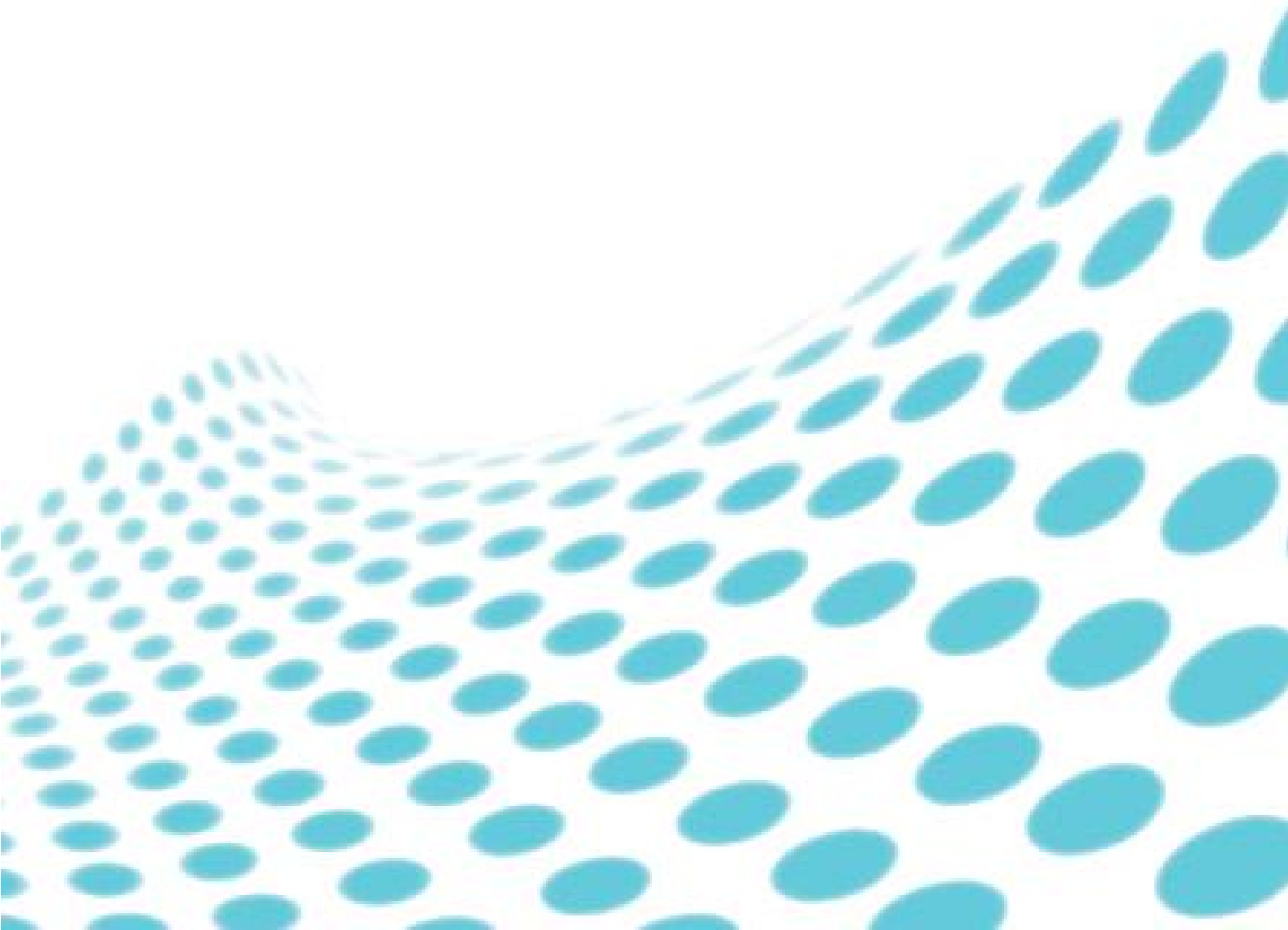




dreamocTM XL3

factsheet
V.1.2 - 2017



The Dreamoc XL3 is a 3 sided holographic display, which lets you combine a physical product with 3D holographic content.



Features

- 3 sided viewing
- Combine physical objects with holographic content
- **Crystalline Optic™** - high-end and highly durable glass optics
- **Top-loading panel** - change animations at a glance.
- **New durable coating** - the toughest coating on the market
- **Easy access** - seamless and secure access from the side
- Built-in loudspeakers
- HDMI input for real-time and interactivity features
- Remote control – for easy on/off and volume control

Specifications

- **Power**
Rated Voltage: AC 100-240 V~ 50/60 Hz 1.4 A
Power Consumption: On Mode: 50 W Typ.
Sleep Mode (RGB,DVI-D) : ≤ 0.7 W
Sleep Mode (HDMI) : ≤ 0.7 W Off Mode : ≤ 0.5 W
Power Type: Built-in Power.
Cable: Schuko cable supplied.
- **Screen**
Size: 43"
Format: 16:9
Resolution: Full HD 1920 X 1080p
- **Audio**
Type: Built into screen
Audio Power: 20W (10W x 2)
Sound in/out: Yes
- **Input:**
1 x HDMI, 2 x USB, 1 x RJ45, 1 x DVI-D, 1 x Analog (RGB), 1 x Audio In, 1 x External Control (RS232C IN), HDTV Formats: HDMI : 720p, 1080i, 1080p, 1 x IR Receiver
- **Supported file formats**
Video: MPEG1 / MPEG2, MPEG4 , H.264
Audio: MP3, AC3, MPEG, AAC, HEAAC
Still Image: JPEG, PNG, BMP

Measurements

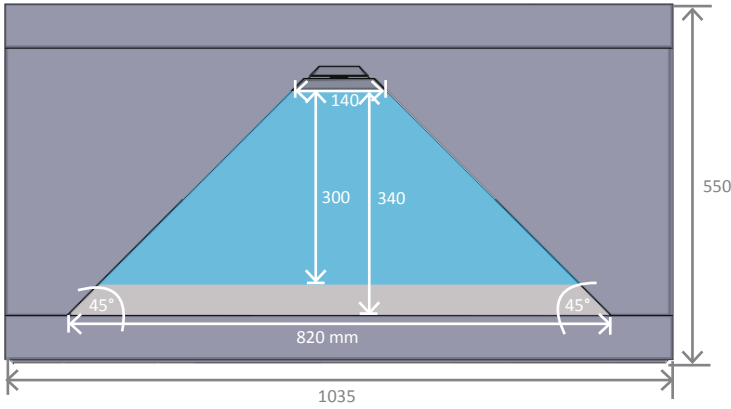
WxHxD: 1035 x550 x 685

Weight: 50 kg

Freight Dimensions

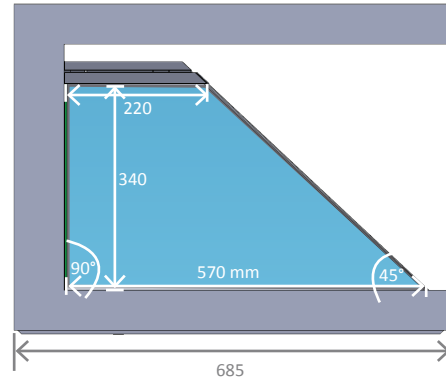
WxHxD: TBD

DIMENSIONS: All figures are in mm



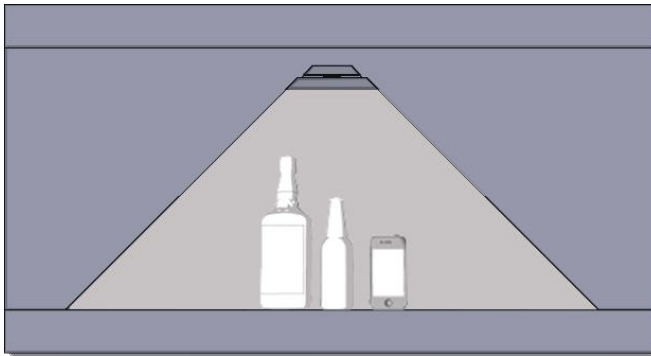
Dreamoc XL3 front view

The Blue color on the drawing shows the approximately hologram size on Dreamoc XL3

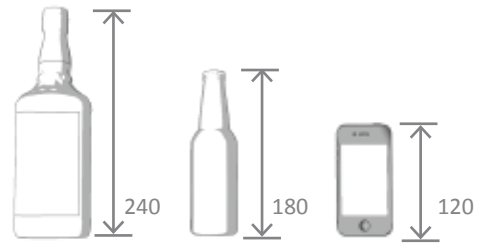


Dreamoc XL3 side view

The Blue color on the drawing shows the approximately hologram size on Dreamoc XL3



Dreamoc XL3 - Object reference



Package content

- Dreamoc XL3 display (fully assembled)
- Pre mounted USB stick with demo content
- User Manual
- Remote control
- Cleaning Cloth

Optional Accessories

- The following items are not included

- Flight Case
- Stand
- Dreamoc Play App
- iPad Vesa Mount

Dreamoc Play

With the Dreamoc Play App your Dreamoc easily becomes an interactive selling or presentation tool. Browse and play Dreamoc content easily through a customizable interface. Available free on App Store.



Scan this QR-code
and get Dreamoc Play app
for FREE

Flight Case

The Dreamoc XL3 flight case is the optimal way of transporting your Dreamoc display. We always recommend using this optional accessory, as it offers the best safety and protection for repeated transport and storage in different locations.

Specifications are subject to changes. We accept no liability for errors and changes.

Realfiction and Dreamoc are registered trademarks owned by Realfiction ApS.

Other marks may be mentioned here in that belong to other companies.

© 2017 Realfiction Aps. All rights reserved.

Realfiction Aps | Øster Alle 42, 7th floor | DK-2100 Copenhagen Ø Denmark | Phone: +45 70 20 64 90 | contact@realfiction.com

Stand

The multi-purpose stand is an optional accessory that is easy to assemble and available in two different versions to suit just the right occasion. It comes with adjustable feet (standard) or wheels (optional).



Basic Stand

Open and light design. Additional branding can be placed on the two sides.

Dimensions:

1035x1100x685 WxHxD

Weight 60kg

Freight (on pallet):

1200x410x800 WxHxD

85kg



Shelf Option Stand

With added back panel and shelf for a more commercial setup.

Dimensions:

1035x1100x685 WxHxD

80kg

Freight (on pallet):

1200x540x800 WxHxD

110kg

