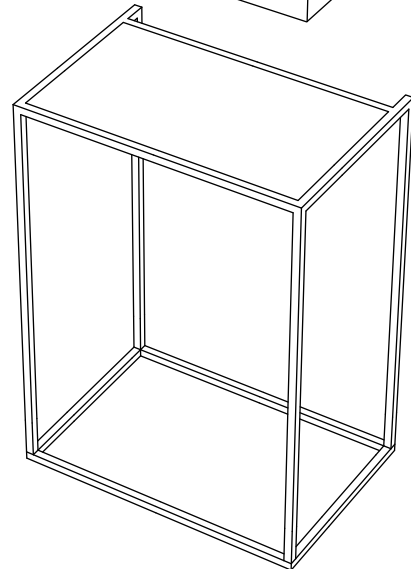
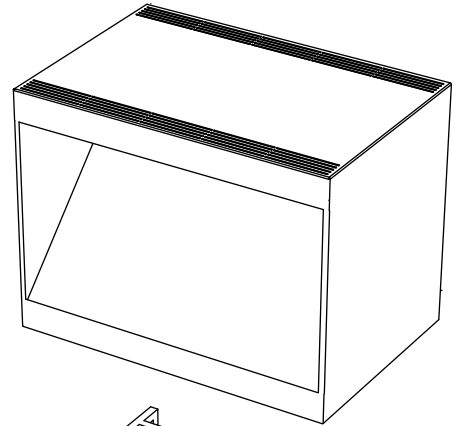


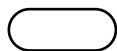
Brightness	1200 cd/m ²
Viewing angle	176° / 176°
Resolution	1366 x 768
Contrast ratio	5000:1
Active screen diagonal	32"
Active screen area	695 x 390 mm
Memory Card	4 GB SD
Power consumption	85 W
Cooling	Heatsink
Dimensions	745 x 569 x 500 mm WxHxD
Weight	50 kg
Video content	MPEG-1, MPEG-2, H.264, WMV, MP4, MOV
Audio	Optional
Power supply	90-240 V AC, 50-60 Hz
Operating conditions	0 – 40°C at max. 80% humidity
OSD Menu	Buttons
Control Button	Power Switch
Content uploading	SD - card
Digital signage	Optional
Weight Floorstand	10 Kg
Floorstand	745 x 1035 x 500 mm WxHxD



MATT COLORS



Black



White

Material housing: Sheet metal
Material optics: High tech synthetic
Finishing: mat coated with texture

Produced and assembled in Belgium (EU)