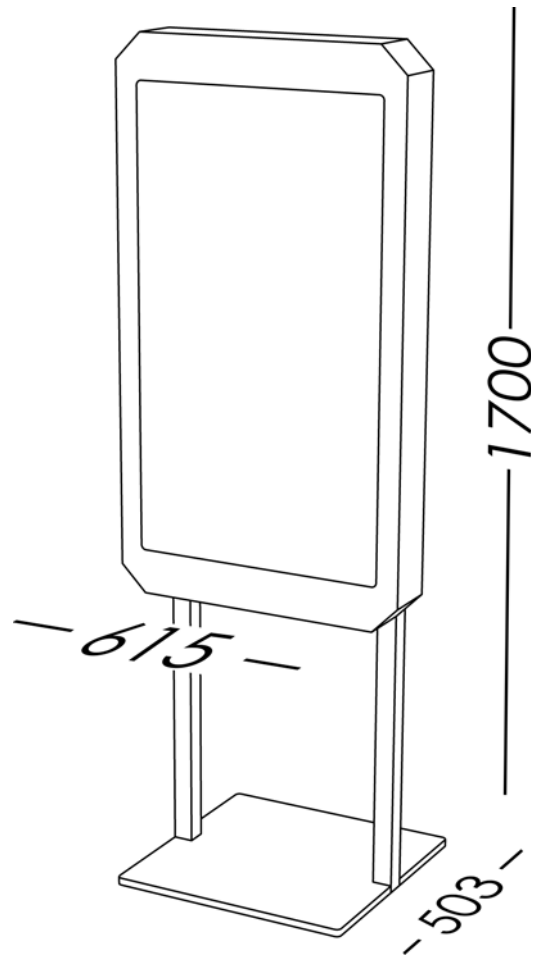


Brightness	1000cd/m ²
Resolution	1366 x 768 (WXGA)
Active screen diagonal	42"
Active screen area	930 x 519mm
Pixel Pitch	0.681mm
Contrast ratio	1700:1
Computer	Intel Dual Core 3Ghz processor
Internal storage	4 GB Bootable flash disk
Memory	2 GB Ram
Cooling	Fans for optimized cooling
Power consumption	240 W
Dimensions	1700 x 615 x 503 mm
Weight	... kg
Touch screen type	Accurate optical sensing
Touch stylus	Finger, gloved hand, or soft stylus
Touch Accuracy	+/- 2mm
Drag response time	Approx 50 milliseconds
Power supply	90-240 V AC, 50-60 Hz
Operating conditions	0 – 40°C 32 – 104°F at max. 80% humidity
OSD Menu	Brightness, contrast, H/Vposition, color, phase
Control Button	Power Switch



dimensions in millimeters

MATT COLOUR



Black

Material housing: Aluminium
 Material optics: Glass
 Finishing: mat lacquered with texture

Produced and assembled in Belgium (EU)