



75" HIGH BRIGHTNESS 2500 NIT LCD WITH NARROW BEZEL MODEL DS751LT4

The DS751LT4 is a full HD 75-inch high brightness LCD featuring an LED backlight producing a 2,500 nit sunlight viewable image. The DS751LT4 has been designed for large scale display applications in bright environments such as outdoor enclosures and storefront windows. A narrow 11.7 mm bezel makes this model ideal for either single display or video wall applications. Each screen is individually color calibrated to the D65 color standard to ensure uniformity among multiple displays.

Screen image simulated.

Key Features

- 2,500 nit Maximum Brightness
- LED Backlit with Local Dimming
- 1920 x1080 Full HD Native Resolution
- 1,000,000:1 Dynamic Contrast Ratio
- 11.7 mm Bezel Width
- VESA Mounting Compliance
- Carrying Handles

75" High Brightness 2500 nit LCD with Narrow Bezel

Model DS751LT4

PANEL

LCD Panel Type	75 inches LCD
Native Resolution	1920 x 1080
Backlight	Direct LED
Brightness	2500 nit
Default Color Temperature	D65 (6500 K)
Contrast Ratio	5,000:1 (static) 1,000,000:1 (dyn)
Color Depth	8 bit
Response Time	8 ms (typ)
Viewing Angle	178° / 178°
Light Life Time	50,000 hrs (typ.)
Blackening Defect Free	Up to 110°C (230°F)
Panel Surface	Haze 0%

POWER

Power Supply	Internal
Rated Voltage	100 V ~ 240 V, 50 Hz / 60 Hz
Power On Mode	530 W (typ), 920 W (max)
Power Saving Mode	< 1 W

MECHANICAL SPECS

Bezel Width (T/B/L/R)	11.7 / 11.7 / 11.7 / 11.7 mm
Cabinet Color	Black
Monitor Dimension (LxHxD, w/o stand)	1675.8 x 953.8 x 120.5 mm
Monitor Weight (set/package)	60 kg / 68 kg
VESA Mounting (dimension)	900 x 600 mm
Orientation	Portrait / Landscape

USER INTERFACE

Language	English
Daisy Chain	DVI, RS-232
Proof of Image Retention	Yes
Dimming Control (DCR)	Yes
Built-in Video Wall Support	Up to 15x15
ID Setting for Daisy Chain	Yes
On/Off Scheduling	Yes
Ambient Light Sensor	Yes
Total Turn-on time	Yes
Internal Temperature Sensor	Yes
Network Control	RS-232, RJ45
OSD Menu Rotation	Yes
Carrying Handles	Yes
Remote Monitoring	SNMP

I/O PORTS

DVI-D	In (x1), Out (x1)
DisplayPort	In (x1)
RS-232	In (x1), Out (x1)
RJ-45	In (x1)
Audio	In (x1), Out (x1)

ACCESSORIES

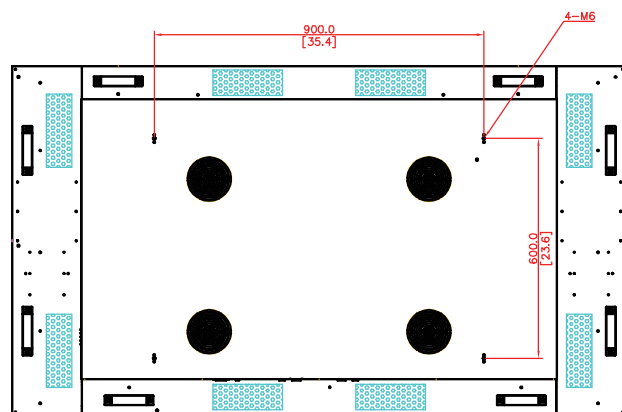
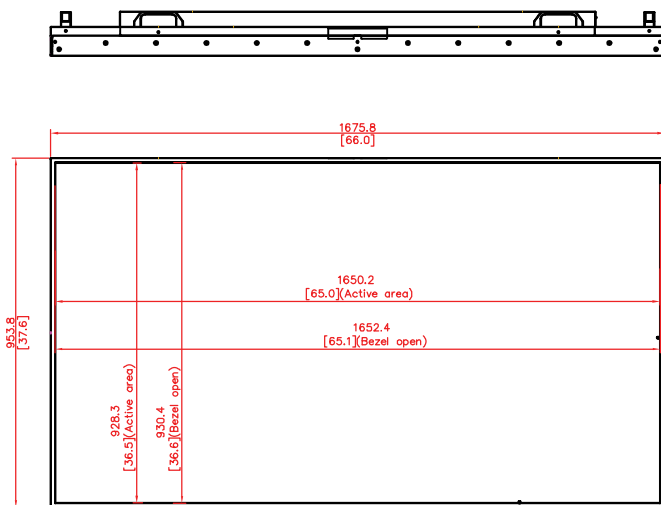
Included Accessories	Power Cord, DVI cable, RJ45 cable, RS232 cable, Remote controller, Batteries, QSG
Optional Accessories	AD Box, Extension Sensor Kit

ENVIRONMENT

Operating Temperature	0° C ~ 45° C
Storage Temperature	-20° C ~ 60° C
Humidity	10% ~ 80% RH Non-condensing

CERTIFICATION

CE / FCC / VCCI / ROHS	
------------------------	--



All specifications subject to change without notice.